



RF Power Line Penetration Filters for shielded enclosures (FCP-11, -12, -22, -23)

HIGHLIGHTS

This series of Power Line Penetration Filters can be mounted through the outer wall of a shielded enclosure. The filters are RFI secure and supplied with threaded nipple. Filters supplied with bleeder resistor to prevent shock hazard.

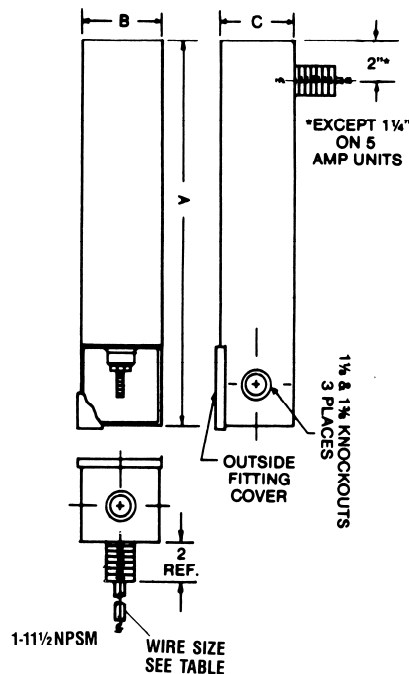
These Filters are available in four series

FCP-11: (60Hz)

FCP-12: (400Hz) 100dB attenuation from 100 kHz to 10 GHz measured per MIL-STD-220A full load

FCP-22: (60Hz)

FCP-23: (400Hz) 100dB attenuation from 14 kHz to 10 GHz measured per MIL-STD-220A full load.

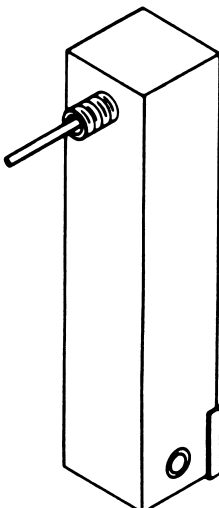


FCP-11 Series 60 Hz
FCP-12 Series available for 400 Hz

Part No	Current (AMPS)	Line to Ground Voltage		Frequency (Hz)	Dimensions (Inches)			AWG	APPR WT (LBS)
		VAC	VDC		A	B	C		
FCP-11-5	5	277	600	0-60	9	4	4	10	10
FCP-11-2x5 *	2x5	277	600	0-60	9	8	4	10	15
FCP-11-30	30	277	600	0-60	20	4	4	10	20
FCP-11-2x30 *	2x30	277	600	0-60	20	7	4	10	30
FCP-11-60	60	277	600	0-60	24	4	4	6	25
FCP-11-100	100	277	600	0-60	29	4 1/2	4 1/2	2	30
FCP-11-200	200	277	600	0-60	31	8	5 1/2	4/0	60
FCP-11-225	225	277	600	0-60	31	8	5 1/2	4/0	60

*Dual filters may be used in 3 phase systems up to 480 volts phase to phase

FCP-22 Series 60Hz
FCP-23 Series available for 400Hz



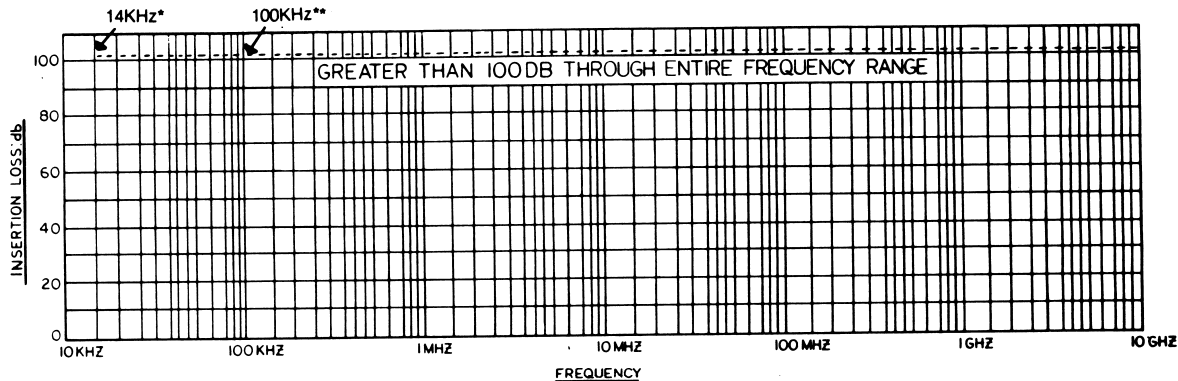
FCP-22-25	25	277	600	0-60	20	4	4	10	20
FCP-22-30	25	277	600	0-60	20	4	4	10	20
FCP-22-50	50	277	600	0-60	24	4	4	6	25
FCP-22-75	50	277	600	0-60	24	4	4	6	25
FCP-22-100	100	277	600	0-60	29	4 1/2	4 1/2	2	30
FCP-22-150	150	277	600	0-60	31	8	5 1/2	4/0	60
FCP-22-200	200	277	600	0-60	31	8	5 1/2	4/0	60

1 3/8 Dia. Clearance hole recommended for 1-1 1/2 NPSM conduit





RF Power Line Penetration Filters for shielded enclosures (FCP-11, -12, -22, -23)



* FCP-22 AND 23 SERIES 100dB from 14KHz TO 10GHz measured in a 50 Ω system per MIL-STD 220A load condition

** FCP 11 AND 12 SERIES 100dB from 100kHz TO 10GHz measured in a 50 Ω system per MIL-STD 220A load condition

SPECIFICATIONS

ELECTRICAL

CURRENT RATING: The filters shall be capable of withstanding 140% of rated current for 15 minutes without deterioration

INSERTION LOSS: The filters shall provide specified insertion loss of 100 db minimum over its indicated frequency range when measured in accordance with MIL-STD-220A

VOLTAGE: The filters shall be capable of operating continuously at full- rated voltage and withstanding an initial test of twice the rated voltage for one minute

MECHANICAL

CASE: The filter case shall be made of cold-rolled steel

CONSTRUCTION: Input and output terminals shall be completely enclosed in RF shielded compartments. Cover on the input compartment shall be screw-down type

FINISH: All filter cases shall be made corrosion-resistant with suitable plating

IMPREGNANT: The impregnant shall be non-flammable as classified by UL and MIL-F-15733

TERMINALS: The terminals shall be made of high temperature ceramic

